



www.pelcoinc.com
 320 W. 18TH ST, EDMOND OK 73013
 PH: 405-340-3434 FAX: 405-340-3435

This drawing is for reference only. It is the property of Pelco and is not to be used in whole or in part without Pelco's permission.

ASSEMBLY SHEET

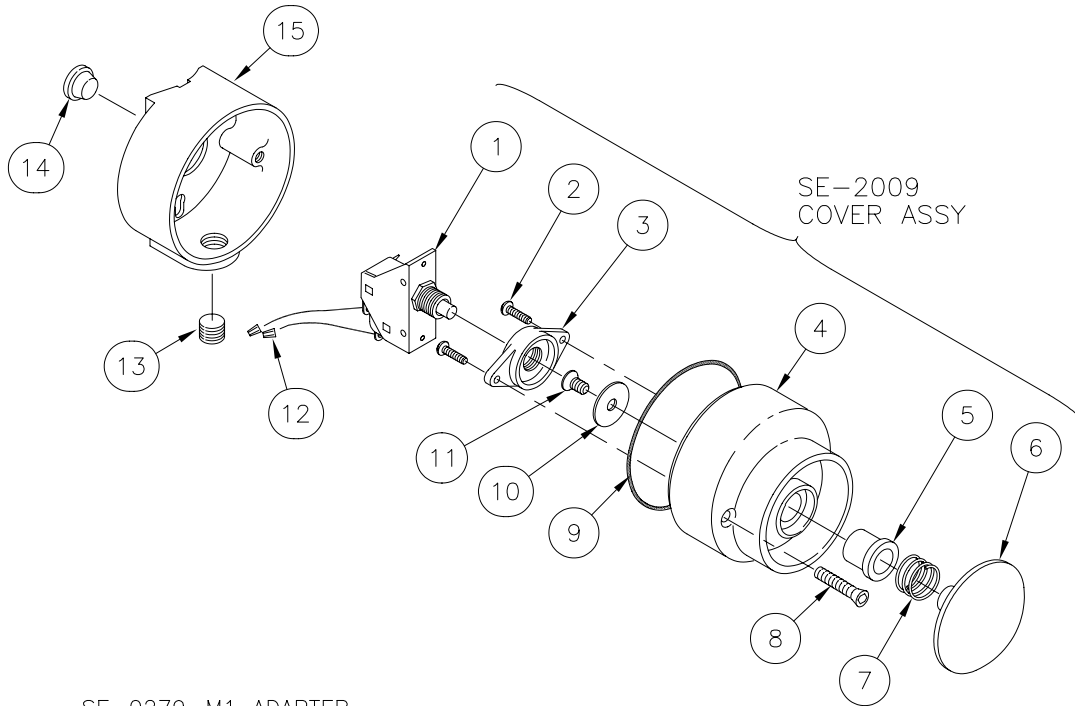
REF:

TITLE:

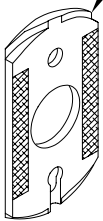
**PUSH BUTTON ASSY, ROUND
 POLE MOUNT W/ LONG LIFE SWITCH &
 2" MUSHROOM PLUNGER COVER ASSY**

PELCO NO.:

**SE-2005
 (08) OPTION**



SE-0279-M1 ADAPTER
 & FS-9041 DOUBLE-SIDED TAPE



FLATBACK OPTION

| OPTIONS | | | |
|--|---------|-----------------------|-----------------------|
| | W/O LED | LED W/ CIRCUIT MODULE | LED W/ TERMINAL STRIP |
| WIRE LEADS | (00) | (011) | (012) |
| FREEZEPROOF BOOT | (06) | (021) | (022) |
| FRZPRF DIAPHRAGM | (07) | (031) | (032) |
| 2" MUSH. PLUNGER | (08) | (041) | (042) |
| 1 1/8" DOME PLUNGER | (10) | (111) | (112) |
| MOUNT TYPE: ROUND POLE BACK OR FLAT BACK | | | |
| PAINT | | | |

| ITEM | PART NO. | DESCRIPTION | QTY |
|------|---------------|--|-----|
| 1 | SE-0211-M2 | SWITCH, LONG LIFE W/ 4" WIRE LEADS | 1 |
| 2 | FS-3113-SS | SCREW, PHIL PAN HD, 6-32 X 5/8", TYPE 23, STAINLESS | 2 |
| 3 | SE-0217-ZN2 | SWITCH MNT PLATE, PUSH BUTTON, DIE CAST, ZINC 2 | 1 |
| 4 | SE-0216-08-M3 | COVER, ROUND, LONG LIFE SWITCH W/ 2" MUSH. PLUNGER | 1 |
| 5 | FS-4916 | BUSHING, BRONZE FLANGE, 0.44 ID X 0.50 LG, SAE 841 | 1 |
| 6 | SE-6009-SS | PLUNGER, 2" MUSHROOM, SHORT SHAFT, SS | 1 |
| 7 | SE-0286-ZN1 | SPRING, .041" X .540" ID X .570" LONG, ZINC 1 | 1 |
| 8 | FS-3008-SS | SCREW, CAP SOC HD, 1/4"-20 X 2 1/4", STAINLESS | 2 |
| 9 | SE-0215 | O-RING, #150, 70 DURO NEOPRENE | 1 |
| 10 | FS-4917-SS | WASHER, FLANGE CUP, #10, 18-8 STAINLESS | 1 |
| 11 | FS-3016-SS | SCREW, PHIL FLAT HD, 10-32 X 3/8", 410 STAINLESS | 1 |
| 12 | SE-2501 | HDWR KIT, 2 WIRE NUTS, BAGGED | 1 |
| 13 | SE-0245 | PLUG, THREADED CONDUIT, 1/2" DIE CAST ALUM | 1 |
| 14 | SE-0296 | PLUG, TAPERED, #21 BLUE (FOR PUSH BUTTON BODY) | 1 |
| 15 | SE-0283-M1 | PUSH BUTTON BODY, ROUND, POLE MNT W/ 1 1/4" BOSS ON BACK | 1 |